

# Neofuge 13/13R

## Laboratory Centrifuge



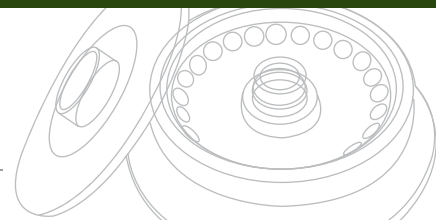
### Applications

- Pelleting DNA and RNA
- Pelleting of PCR amplified nucleic acids
- Antibody and protein precipitates
- Bacterial and yeast cell fractionation
- Removing cell debris from cell homogenates

Heal Force high speed personal centrifuge Neofuge 13 & Neofuge 13R provides excellent centrifugal effect and is easy to be used with high reliability and safety, it can be widely used in laboratories, clinics and research institutes.

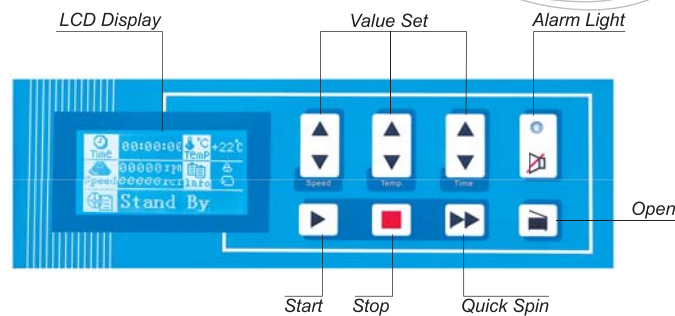
Heal Force leads you to healthier life

# Neofuge 13/13R



## Features

- Max. speed 13,800rpm, max. RCF 17,458×g
- Low-noise brushless drive motor, maintenance-free
- Airtight rotors available
- Refrigerated table-top centrifuge, CFC-free (R134a), rotor can be kept in low temperature at max. speed (Neofuge 13R only)
- Microprocessor control, all parameters are set by control panel



Neofuge 13R (Refrigerated)

## High Performance

Neofuge 13/13R equipped with a brushless induction motor runs quietly. The rotor can be accelerated to 17,458×g, which is sufficient for all standard applications. A “quick spin” key is used for short processing runs. The powerful CFC-free refrigeration unit can control temperature range from -10°C to +40°C (Neofuge 13R only).

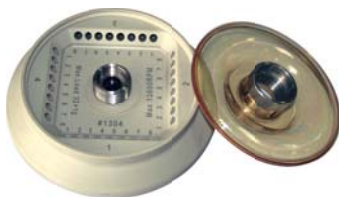
## Simple Operation

LCD can display more detailed failure information, speed, chamber temperature and run time can be set by the user and the value can change during centrifugation.



Standard

#1303 Fixed angle rotor 24×1.5/2.0ml, 13800rpm, 17458×g,45°							
Centrifuge tube					Adaptor		
Capacity	Type	Diameter	Length	Packed/unit	Specification	Order NO.	Packed/unit
1.5ml	round	Ø11mm	43mm	24 PCS	-	-	-
2.0ml	round	Ø11mm	43mm	24 PCS	-	-	-
0.5ml	conical	Ø8mm	32mm	24 PCS	1×0.5ml	ADP13-001	24 PCS
0.2ml	conical	Ø6.5mm	22mm	24 PCS	1×0.2ml	ADP13-002	24 PCS



Optional

#1304 Fixed angle rotor 32×0.2ml, 13800rpm, 14478×g,45°							
Centrifuge tube					Adaptor		
Capacity	Type	Diameter	Length	Packed/unit	Specification	Order NO.	Packed/unit
8-tube PCR Strip	conical	Ø6.5mm	-	4	-	-	-
0.2ml	conical	Ø6.5mm	22mm	32	-	-	-

## Technical Specifications

Max. speed	13,800rpm	Control	Microprocessor control
Max. RCF	17,458×g	Weight without rotor	20Kg (Neofuge13) / 39Kg (Neofuge 13R)
Max. capacity	24×1.5/2.0 ml	Power	150VA(Neofuge 13) / 300VA(Neofuge 13R)
Temperature range	-10°C to +40°C (Neofuge 13R)	Refrigerant	R134a (CFC-free)(Neofuge 13R)
Run time	≤9h 59min, quick spin	Dimensions: (H*W*D)	220mm×230mm×330mm (Neofuge 13)
Step	10 rpm		320mm×285mm×480mm (Neofuge 13R)
Drive	Brushless induction motor		



Heal Force Bio-Meditech Holdings Limited  
Nison Instrument (Shanghai) Limited

International Sales Office: Floor 15, No.2 Hua Shan Road, Shanghai 200040, P.R. China

Tel: +86 21 62728646

E-mail: export@healforce.com

Fax: +86 21 62710529

Website: www.healforce.com

Information is subject to change and/or updating without notice.

Copyright © 2010 Heal Force. All Rights Reserved.

Heal Force Laboratory Equipment

# Neofuge 15/Neofuge 15R(Refrigerated) Laboratory Centrifuge



Neofuge 15

Neofuge 15R(refrigerated)



Heal Force leads you to healthier life



# Neofuge 15/15R Laboratory Centrifuge



Heal Force Neofuge 15/15R laboratory centrifuges, providing excellent centrifugal effect and easy to use with high reliability and safety, are widely used in routine laboratories research in the fields of bioscience, medicine and industry.

## Features

- Maximum speed at 16,000rpm & maximum RCF at 24,905×g
- Easy control for parameter setting & precise control by microprocessor
- Electronic imbalance detection
- Automatic rotor identification
- Low noise brushless drive motor, free of maintenance
- Refrigerated by CFC-free unit (R134a), temperature range -10~40°C (Neofuge 15R only)
- Precooling rotors function during standby (Neofuge 15R only)
- Standard accessory of #1501 fixed angle rotor (24×1.5/2.0ml)

### Electronic imbalance detection

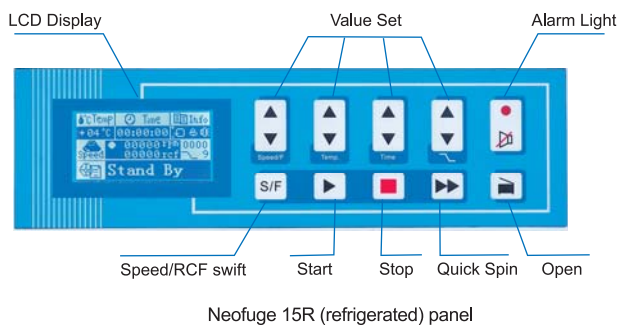
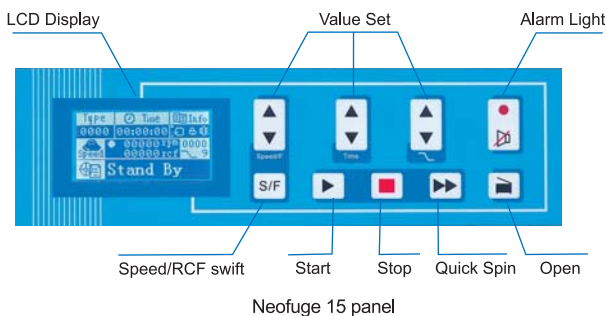
Neofuge 15/15R are equipped with an electronic imbalance detection system, which responds in case samples are loaded incorrectly or the tube is broken, and pauses centrifugation automatically to protect the operator or machine from being hurt or damaged.

### Automatic rotor identification

Different rotors are identified automatically by the system. The system indicates alarm signal in case of following conditions: setting speed, exceeding limit, empty running without rotors, and failure of rotor identification.

### Simple & easy control

With all essential status parameters are directly displayed on the LCD screen, the operator is very convenient to preset parameters such as speed, RCF, chamber temperature (Neofuge 15R only) and running time.



Neofuge 15R (refrigerated)



Neofuge 15



#1501 fixed angle rotor (standard)

#1501 fixed angle rotor							
24×1.5/2.0ml, 16000rpm, 24900×g,45°							
Centrifuge tube					Adaptor		
Capacity	Type	Diameter	Length	Tube qty/rotor	Tube qty/adaptor×volume	Order No.	Adaptor qty/rotor
1.5ml	round	Ø11mm	47mm	24pcs	-	-	-
2ml	round	Ø11mm	47mm	24pcs	-	-	-
0.5ml	conical	Ø8mm	32mm	24pcs	1pc×0.5ml	ADP17.02-001	24pcs
0.2ml	conical	Ø6.5mm	22mm	24pcs	1pc×0.2ml	ADP17.02-002	24pcs



#1502 swing-bucket rotor (optional)

#1502 swing-bucket rotor #1502 rotor incl. 4 aerosol-tight standard buckets							
4×100ml, 4000rpm,2590×g							
Centrifuge tube					Adaptor		
Capacity	Type	Diameter	Length	Tube qty/rotor	Tube qty/adaptor×volume	Order No.	Adaptor qty/rotor
100ml	flat	Ø45mm	100mm	4pcs	-	-	-
50ml	round	Ø29mm	114mm	4pcs	1pc×50ml	SP15.04.100.S50-10	4pcs
50ml	conical	Ø29mm	116mm	4pcs	1pc×50ml	SP15.04.100.C50-10	4pcs
50ml	round	Ø36mm	110mm	4pcs	1pc×50ml	SP15.04.100.50-10	4pcs
25ml	round	Ø25mm	115mm	4pcs	1pc×25ml	SP15.04.100.25-10	4pcs
15ml	conical	Ø17mm	120mm	4pcs	1pc×15ml	SP15.04.100.C15-10	4pcs
15ml	round	Ø17mm	104mm	12pcs	3pcs×15ml	SP15.04.100.15-00	4pcs
7ml	round	Ø12mm	104mm	20pcs	5pcs×7ml	SP15.04.100.7-00	4pcs
5/7ml	round	Ø12mm	104mm	12pcs	3pcs×5/7ml	SP15.04.100.5-00	4pcs
1.5/2.0ml	round	Ø11mm	44mm	40pcs	10pcs×1.5/2ml	SP15.04.100.1-00	4pcs

### #1503 fixed angle rotor

6×50ml, 8500rpm, 10015×g,45°



#1503 fixed angle rotor (optional)

#1503 fixed angle rotor							
6×50ml, 8500rpm, 10015×g,45°							
Centrifuge tube					Adaptor		
Capacity	Type	Diameter	Length	Tube qty/rotor	Tube qty/adaptor×volume	Order No.	Adaptor qty/rotor
50ml	conical	Ø29.5mm	116mm	6pcs	1pc×50ml	F08.50-04	6pcs
50ml	round	Ø29mm	115mm	6pcs	1pc×50ml	ADP15.94-001	6pcs
38ml	round	Ø25.5mm	96mm	6pcs	1pc×38ml	ADP15.94-002	6pcs
16ml	round	Ø18mm	114mm	6pcs	1pc×16ml	ADP15.94-003	6pcs
15ml	conical	Ø16mm	120mm	6pcs	1pc×15ml	ADP15.94-008	6pcs
12ml	round	Ø16mm	112mm	12pcs	2pcs×12ml	ADP15.94-004	6pcs
10ml	round	Ø16mm	82mm	6pcs	1pc×10ml	ADP15.94-011	6pcs
6.5ml	round	Ø13mm	104mm	18pcs	3pcs×6.5ml	ADP15.94-005	6pcs
5ml	round	Ø13.5mm	52mm	12pcs	2pcs×5ml	ADP15.94-010	6pcs
3.5ml	round	Ø11mm	85mm	24pcs	4pcs×3.5ml	ADP15.94-006	6pcs
1.5ml	conical	Ø11mm	41mm	24pcs	4pcs×1.5ml	ADP15.94-007	6pcs

### #1507 microplate rotor with 2 racks

Rotor #1507 incl. 2 microplate buckets (For 15R only)

2 microplate, 3000rpm,1087×g,90°



#1507 microplate rotor (optional for Neofuge15R only)

#1507 microplate rotor with 2 racks							
2 microplate, 3000rpm,1087×g,90°							
Centrifuge microplate				Adaptor			
Name	L×D×H(mm)	Tube qty/rotor	Tube qty/adaptor×volume	Order No.	Adaptor qty/rotor		
96-hole microplate	128×85.6×15	6pcs	-	-	-		
24-hole microplate	128×85.6×21	4pcs	-	-	-		
96-hole deep microplate	128×85.6×45	2pcs	-	-	-		

### #1508 fixed angle rotor

(for 15R only)

8×50ml,12000rpm,15778×g,28°



#1508 fixed angle rotor (optional for Neofuge15R only)

#1508 fixed angle rotor							
8×50ml,12000rpm,15778×g,28°							
Centrifuge tube					Adaptor		
Capacity	Type	Diameter	Length	Tube qty/rotor	Tube qty/adaptor×volume	Order No.	Adaptor qty/rotor
50ml	round	Ø29mm	112mm	8pcs	-	-	-
38ml	round	Ø25.5mm	92mm	8pcs	1pc×38ml	ADP15.50-001	8pcs
16ml	round	Ø18mm	108mm	8pcs	1pc×16ml	ADP15.50-002	8pcs
12ml	round	Ø16mm	106mm	8pcs	1pc×12ml	ADP15.50-003	8pcs
10ml	round	Ø16mm	82mm	8pcs	1pc×10ml	ADP15.50-008	8pcs
6.5ml	round	Ø13mm	104mm	8pcs	1pc×6.5ml	ADP15.50-004	8pcs
5ml	round	Ø13.5mm	52mm	8pcs	1pc×5ml	ADP15.50-007	8pcs
3.5ml	round	Ø11mm	82mm	24pcs	3pcs×3.5ml	ADP15.50-005	8pcs
1.5ml	conical	Ø11mm	41mm	24pcs	3pcs×1.5ml	ADP15.50-006	8pcs

# Neofuge 15/15R Laboratory Centrifuge

## Specifications

Max. speed	16,000rpm	Drive	Brushless induction motor
Min. speed	300rpm	Noise at max. speed	≤60dB
Steplength	10rpm	Temperature range	-10°C ~+40°C (Neofuge 15R only)
Max. RCF	24,905×g	Control	Microprocessor control
Max. capacity	4×100ml	Running time	≤9h 59min, quick spin
Braking/acceleration curves	9/9	Dimensions(H×W×D)	330mm×525mm×390mm (Neofuge 15) 315mm×580mm×520mm (Neofuge 15R)
Refrigerant	R134a (CFC-free) (Neofuge15R only)	Net weight without rotor	58Kg (Neofuge 15) 74Kg (Neofuge 15R)
Power supply	220V/50Hz(standard) 220V/60Hz(optional)		

## Heal Force Laboratory Equipment



Laboratory Centrifuge



Water Purification System



CO<sub>2</sub> Incubator



Biological Safety Cabinet



**Heal Force Bio-Meditech Holdings Group**  
**Nison Instrument (Shanghai) Limited**

International Sales Office: Floor 15, No.2 Hua Shan Road, Shanghai 200040, P.R. China

Tel: +86 21 62728646

E-mail: [export@hf.healoo.com](mailto:export@hf.healoo.com)

Fax: +86 21 62710529

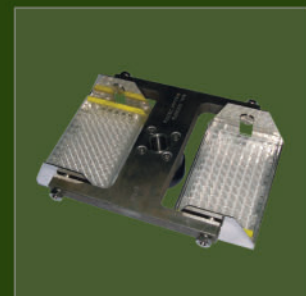
Website: [www.healforce.com](http://www.healforce.com)

Information is subject to change and/or updating without notice.  
Copyright © 2010 Heal Force. All Rights Reserved.



Heal Force Laboratory Equipment

# Neofuge 23R(Refrigerated) Laboratory Centrifuge



Heal Force leads you to healthier life

# Neofuge 23R Laboratory Centrifuge



Heal Force Neofuge 23R laboratory centrifuges, providing excellent centrifugal effect and easy to use with high reliability and safety, are widely used in the fields of molecular and biochemical research, and medical diagnosis.

## Features

- Refrigerated by CFC-free unit (R404a), temperature range  $-20\sim 40^{\circ}\text{C}$
- Maximum speed at 23,300rpm & maximum RCF at 50,377 $\times$ g
- Easy control for parameter setting & precise control by microprocessor
- Electronic imbalance detection
- Automatic rotor identification
- Low noise brushless drive motor, free of maintenance
- Precooling rotors function during standby
- 9 acceleration/deceleration curves available
- Multi-function by 8 optional rotors

### Lid-lock system

The lid-lock system is a patented design for safety. The lid is locked by electronic latch automatically, and also not able to be opened manually. The instruction of opening the lid is requested by the "open" key on the control panel, and takes effect only when the rotors inside stop running.

### Programming

Up to 9 working modes are able to be programmed and saved, for the convenience of future uses.

### Quick-spin

For short process working, a "quick spin" key is easy to operate without other setting.

### Electronic imbalance detection

Neofuge 18R is equipped with an electronic imbalance detection system, which responds in case samples are loaded incorrectly or the tube is broken, and pauses centrifugation automatically to protect the operator or machine from being hurt or damaged.

### Automatic rotor identification

Different rotors are identified automatically by the system. The system indicates alarm signal in case of following conditions: setting speed exceeding limit, empty running without rotors, and failure of rotor identification.

### Alarm and troubleshooting

The control microprocessor is applied to monitor the machine to work safely and reliably. Any abnormal operation working status may be detected immediately, and the system activates protecting process automatically. Meanwhile, alarm and record functions are also activated to notice the operator by showing message on the panel and saving the error report.

### High quality rotors

- Ultraduralumin
- Aerosol-tight
- Autoclavable ( $121^{\circ}\text{C}$ , 20min)







#2301 fixed angle rotor



#2302 fixed angle rotor



#2303 fixed angle rotor



#2304 fixed angle rotor



#2305 fixed angle rotor

## #2301 fixed angle rotor

24×1.5ml, 23300rpm, 50377×g, 45°

Centrifuge tube					Adaptor		
Capacity	Type	Diameter	Length	Tube qty/rotor	Tube qty/adaptor×volume	Order No.	Adaptor qty/rotor
1.5ml	conical	Ø11mm	41mm	24pcs	-	-	-
0.5ml	conical	Ø8mm	32mm	24pcs	1pc×0.5ml	ADP23.01-001	24pcs
0.2ml	conical	Ø6.5mm	22mm	24pcs	1pc×0.2ml	ADP23.01-002	24pcs

## #2302 fixed angle rotor

24×2ml, 17000rpm, 28110×g, 45°

Centrifuge tube					Adaptor		
Capacity	Type	Diameter	Length	Tube qty/rotor	Tube qty/adaptor×volume	Order No.	Adaptor qty/rotor
2ml	round	Ø11mm	47mm	24pcs	-	-	-
0.5ml	conical	Ø8mm	32mm	24pcs	1pc×0.5ml	ADP17.02-001	24pcs
0.2ml	conical	Ø6.5mm	22mm	24pcs	1pc×0.2ml	ADP17.02-002	24pcs

## #2303 fixed angle rotor

16×16ml, 17000rpm, 31664×g, 23°

Centrifuge tube					Adaptor		
Capacity	Type	Diameter	Length	Tube qty/rotor	Tube qty/adaptor×volume	Order No.	Adaptor qty/rotor
16ml	round	Ø18mm	106mm	16pcs	-	-	-
6.5ml	round	Ø13mm	100mm	16pcs	1pc×6.5ml	ADP17.16-001	16pcs
3.5ml	round	Ø11mm	71mm	16pcs	1pc×3.5ml	ADP17.16-002	16pcs
1.5ml	conical	Ø11mm	41mm	16pcs	1pc×1.5ml	ADP17.16-003	16pcs

## #2304 fixed angle rotor

6×94ml, 15000rpm, 25046×g, 26°

Centrifuge tube					Adaptor		
Capacity	Type	Diameter	Length	Tube qty/rotor	Tube qty/adaptor×volume	Order No.	Adaptor qty/rotor
94ml	round	Ø38mm	116mm	6pcs	-	-	-
50ml	conical	Ø29.5mm	116mm	6pcs	1pc×50ml	F08.50-04	6pcs
50ml	round	Ø29mm	115mm	6pcs	1pc×50ml	ADP15.94-001	6pcs
38ml	round	Ø25.5mm	96mm	6pcs	1pc×38ml	ADP15.94-002	6pcs
16ml	round	Ø18mm	114mm	6pcs	1pc×16ml	ADP15.94-003	6pcs
15ml	conical	Ø16mm	120mm	6pcs	1pc×15ml	ADP15.94-008	6pcs
12ml	round	Ø16mm	112mm	12pcs	2pcs×12ml	ADP15.94-004	6pcs
6.5ml	round	Ø13mm	104mm	18pcs	3pcs×6.5ml	ADP15.94-005	6pcs
3.5ml	round	Ø11mm	85mm	24pcs	4pcs×3.5ml	ADP15.94-006	6pcs
1.5ml	conical	Ø11mm	41mm	24pcs	4pcs×1.5ml	ADP15.94-007	6pcs

## #2305 fixed angle rotor

8×50ml, 15000rpm, 26916×g, 34°

Centrifuge tube					Adaptor		
Capacity	Type	Diameter	Length	Tube qty/rotor	Tube qty/adaptor×volume	Order No.	Adaptor qty/rotor
50ml	round	Ø29mm	112mm	8pcs	-	-	-
38ml	round	Ø25.5mm	92mm	8pcs	1pc×38ml	ADP15.50-001	8pcs
16ml	round	Ø18mm	108mm	8pcs	1pc×16ml	ADP15.50-002	8pcs
12ml	round	Ø16mm	106mm	8pcs	1pc×12ml	ADP15.50-003	8pcs
6.5ml	round	Ø13mm	104mm	8pcs	1pc×6.5ml	ADP15.50-004	8pcs
3.5ml	round	Ø11mm	82mm	24pcs	3pcs×3.5ml	ADP15.50-005	8pcs
1.5ml	conical	Ø11mm	41mm	24pcs	3pcs×1.5ml	ADP15.50-006	8pcs



#2306 fixed angle rotor

<b>#2306 fixed angle rotor</b> Rotor #2306 incl. 6 F08.50-04 adaptors							
6×50ml, 8500rpm, 10016×g, 45°							
Centrifuge tube					Adaptor		
Capacity	Type	Diameter	Length	Tube qty/rotor	Tube qty/adaptor×volume	Order No.	Adaptor qty/rotor
50ml	conical	Ø29.5mm	116mm	6pcs	1pc×50ml	F08.50-04	6pcs
50ml	round	Ø29mm	115mm	6pcs	1pc×50ml	ADP15.94-001	6pcs
38ml	round	Ø25.5mm	96mm	6pcs	1pc×38ml	ADP15.94-002	6pcs
16ml	round	Ø18mm	114mm	6pcs	1pc×16ml	ADP15.94-003	6pcs
15ml	conical	Ø16mm	120mm	6pcs	1pc×15ml	ADP15.94-008	6pcs
12ml	round	Ø16mm	112mm	12pcs	2pcs×12ml	ADP15.94-004	6pcs
6.5ml	round	Ø13mm	104mm	18pcs	3pcs×6.5ml	ADP15.94-005	6pcs
3.5ml	round	Ø11mm	85mm	24pcs	4pcs×3.5ml	ADP15.94-006	6pcs
1.5ml	conical	Ø11mm	41mm	24pcs	4pcs×1.5ml	ADP15.94-007	6pcs



#2307 swing-bucket rotor

<b>#2307 swing-out rotor</b> Rotor #2307 incl. 4 aerosol-tight standard buckets							
4×180ml, 5000rpm, 4863×g, 90°							
Centrifuge tube					Adaptor		
Capacity	Type	Diameter	Length	Tube qty/rotor	Tube qty/adaptor×volume	Order No.	Adaptor qty/rotor
180ml	flat	Ø 56mm	120mm	4pcs	-	-	-
85ml	round	Ø38mm	90mm	4pcs	1pc×85ml	ADP05.180-001	4pcs
50ml	round	Ø29mm	115mm	4pcs	1pc×50ml	ADP05.180-002	4pcs
25ml	round	Ø24.5mm	112mm	8pcs	2pcs×25ml	ADP05.180-003	4pcs
15ml	round	Ø16mm	115mm	28pcs	7pcs×15ml	ADP05.180-004	4pcs
15ml	conical	Ø16.5mm	118mm	12pcs	3pcs×15ml	ADP05.180-006	4pcs
7ml	round	Ø12mm	117mm	36pcs	9pcs×7ml	ADP05.180-005	4pcs



#2308 microplate rotor

<b>#2308 microplate rotor with 2 racks</b> Rotor #2308 incl. 2 microplate buckets						
2 microplate, 3000rpm, 1087×g, 90°						
Centrifuge microplate			Adaptor			
Name	L×D×H(mm)	Tube qty/rotor	Tube qty/adaptor×volume	Order No.	Adaptor qty/rotor	
96-hole microplate	128×85.6×15	6pcs	-	-	-	
24-hole microplate	128×85.6×21	4pcs	-	-	-	
96-hole deep microplate	128×85.6×45	2pcs	-	-	-	



#1802 fixed angle rotor

<b>#1802 fixed angle rotor</b>							
10×10ml, 18000rpm, 28254×g, 30°							
Centrifuge tube					Adaptor		
Capacity	Type	Diameter	Length	Tube qty/rotor	Tube qty/adaptor×volume	Order No.	Adaptor qty/rotor
10	round	Ø16mm	82mm	10pcs	-	-	-
5	round	Ø13.5mm	52mm	10pcs	1pc×5ml	ADP18.18.10.5	10pcs
1.5	conical	Ø11mm	41mm	10pcs	1pc×1.5ml	ADP18.18.10.1	10pcs



#1803 fixed angle rotor

<b>#1803 fixed angle rotor</b>							
10×15ml, 14000rpm, 20379×g, 26°							
Centrifuge tube					Adaptor		
Capacity	Type	Diameter	Length	Tube qty/rotor	Tube qty/adaptor×volume	Order No.	Adaptor qty/rotor
15ml	conical	Ø16mm	120mm	10pcs	-	-	-
5ml	round	Ø13.5mm	52mm	10pcs	1pc×5ml	ADP18.14.15.5	10pcs
1.5ml	conical	Ø11mm	41mm	10pcs	1pc×1.5ml	ADP18.14.15.1	10pcs

# Neofuge 23R Laboratory

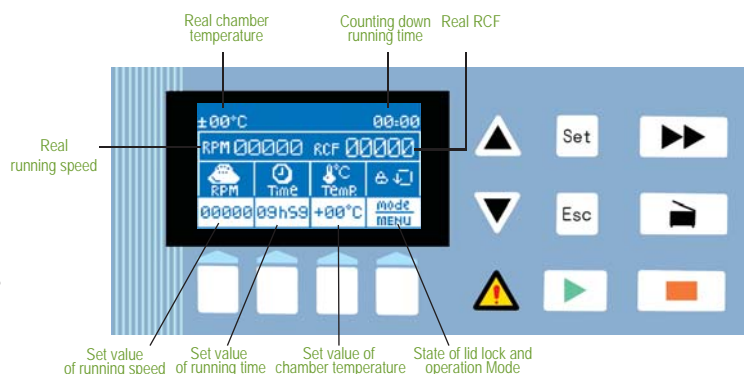
## Simple & safe control

With all essential status parameters are directly displayed on the LCD screen, the operator is very convenient to preset parameters such as speed, RCF, running time and chamber temperature. Locking protection is applied in Neofuge 23R to prevent any possible mistake in operation.

## Strong drive

A "strong drive" equipped in Neofuge 23R brings the following benefits and conveniences

- Applicable for manual tube balancing
- Extremely low noise during running
- Sturdy and reliable for daily work



## Emergency lid release

Despite the lid is locked and not able to be opened manually during running, operators are able to release the lid by pulling the cord in emergency such as accidental power failure or malfunctions.

## Torque spanner

With help of the torque spanner, the rotors are easily released and tightened.





# Laboratory Centrifuge

## Specifications

Max. speed	23,300rpm	Drive	Brushless induction motor
Min. speed	300rpm	Noise at max. speed	≤66dB
Steplength	10rpm	Temperature range	-20°C ~+40°C
Max. RCF	50,377×g	Refrigerant	R404a(CFC-free)
Max. capacity	4×180ml	Control	Microprocessor control
Braking/acceleration curves	9/9	Running time	≤9h 59min, quick spin
Programs	9(pre-cooling program)	Dimensions(H×W×D)	400mm×765mm×590mm
Power supply	220V/50Hz	Net weight without rotor	150kg

## Heal Force Laboratory Equipment



Laboratory Centrifuge



CO<sub>2</sub> Incubator



Biological Safety Cabinet



Water Purification System



Heal Force Bio-Meditech Holdings Group  
Nison Instrument (Shanghai) Limited

International Sales Office: Floor 15, No.2 Hua Shan Road, Shanghai 200040, P.R. China

Tel: +86 21 62728646

E-mail: [export@hf.healoo.com](mailto:export@hf.healoo.com)

Fax: +86 21 62710529

Website: [www.healforce.com](http://www.healforce.com)

Information is subject to change and/or updating without notice.

Copyright © 2008 Heal Force. All Rights Reserved.